

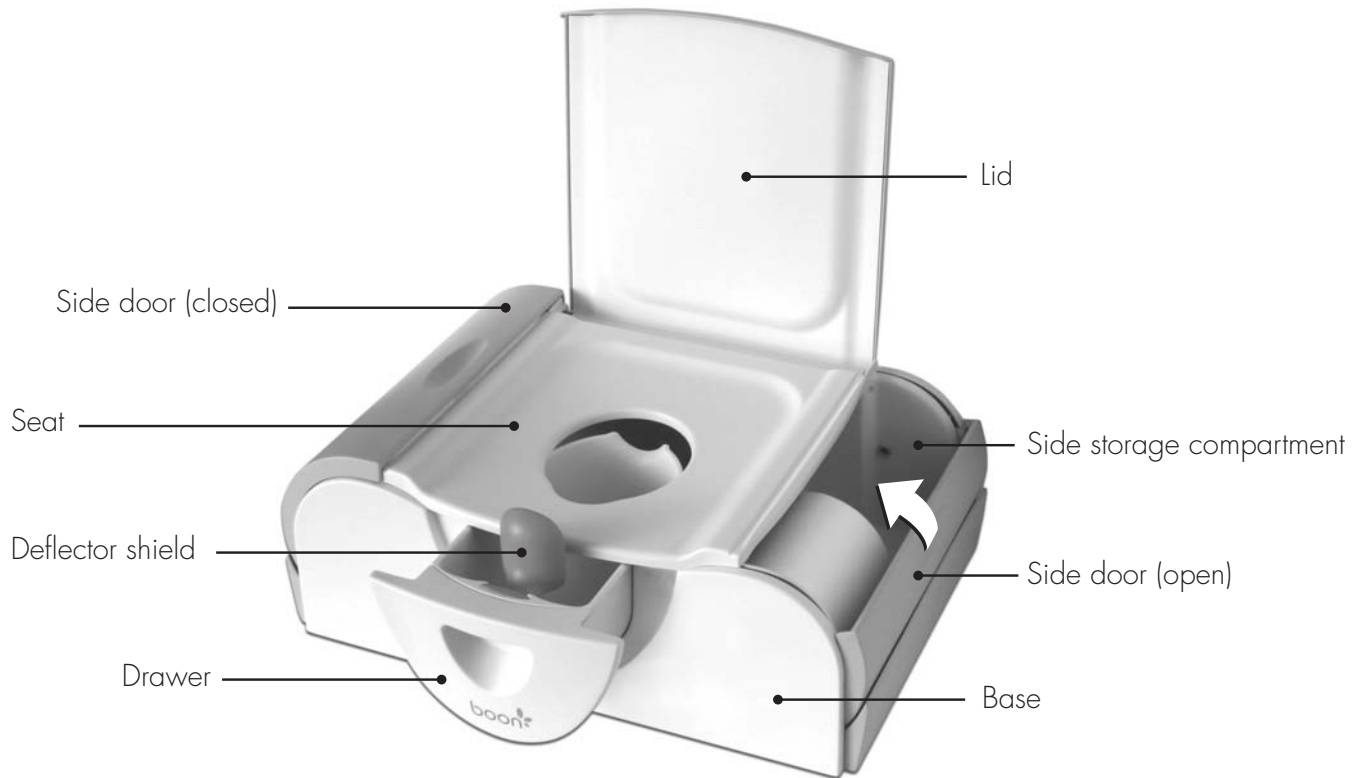
# Potty Bench

## User Guide (English)



### WARNING

NEVER leave child unattended  
Use only on flat surfaces  
DO NOT load product with more than 300 lbs  
The lid is NOT a backrest  
DO NOT allow child to lean back on the open lid  
DO NOT stand on seat when lid is in up position



- Please read instructions carefully before using the Potty Bench. Keep these instructions for future use.
- Patent pending
- Actual product styling and colors may vary.
- Patents, trademarks, copyrights, and designs are exclusively owned by Boon Inc.
- Boon Inc. products are made with the highest quality materials and comply with applicable regulations and standards.
- Made in China
- Item #501

### Satisfaction Guarantee

Before returning this product to the store for any reason, please call us so that we may resolve your questions or concerns.

Thank you.



©2005 Boon Inc.  
info@booninc.com  
1.888.376.4763  
[www.booninc.com](http://www.booninc.com)

# Potty Bench User Guide (English)

## To Use as a Potty

Make sure drawer is pushed in fully. Open lid and have your child sit on seat. **DO NOT let child lean back on open lid.** Once your child has used the potty, pull drawer out and discard waste in toilet. Clean drawer with warm soapy water and replace.



## To Install Deflector

Pull drawer out fully and insert deflector shield in slot on top of drawer. Replace drawer by pushing deflector shield down while sliding drawer into place. Deflector shield will pop up into position. To remove drawer, simply pull it out. Deflector shield will fold down.



## To Use as a Bench or Step Stool

ALWAYS make sure drawer AND seat are installed and in proper position before using as bench or step stool.

Make sure BOTH side doors are closed tightly and lid is DOWN to lock them closed. Step or sit on the top of the lid ONLY. **DO NOT step or sit on the storage doors.**



## Side Storage Compartments

A toilet paper roll holder is provided. Use the other side storage for a box of wipes, training pants, or small books.

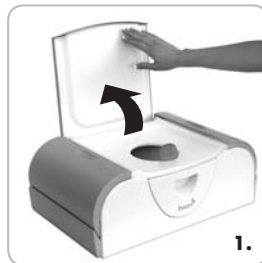


## To Open Side Storage Doors

**NOTE: Potty lid must be in UP position to operate side doors.**

First open potty lid to unlock doors. Then slide door down.

Slide door up to close; then lock in place by putting the potty lid DOWN.



## To Clean

Use cloth with warm soapy water to wash any soiled parts. Household disinfectants can be used as well.

Toilet seat is removable by first pulling up on the rear edge then sliding it back toward the lid hinge. To replace the seat, place hooks under the front edge of the seat in the holes provided. Then push the opposite end down into place.

Drawer/deflector shield should be removed and cleaned with warm soapy water after each use.

